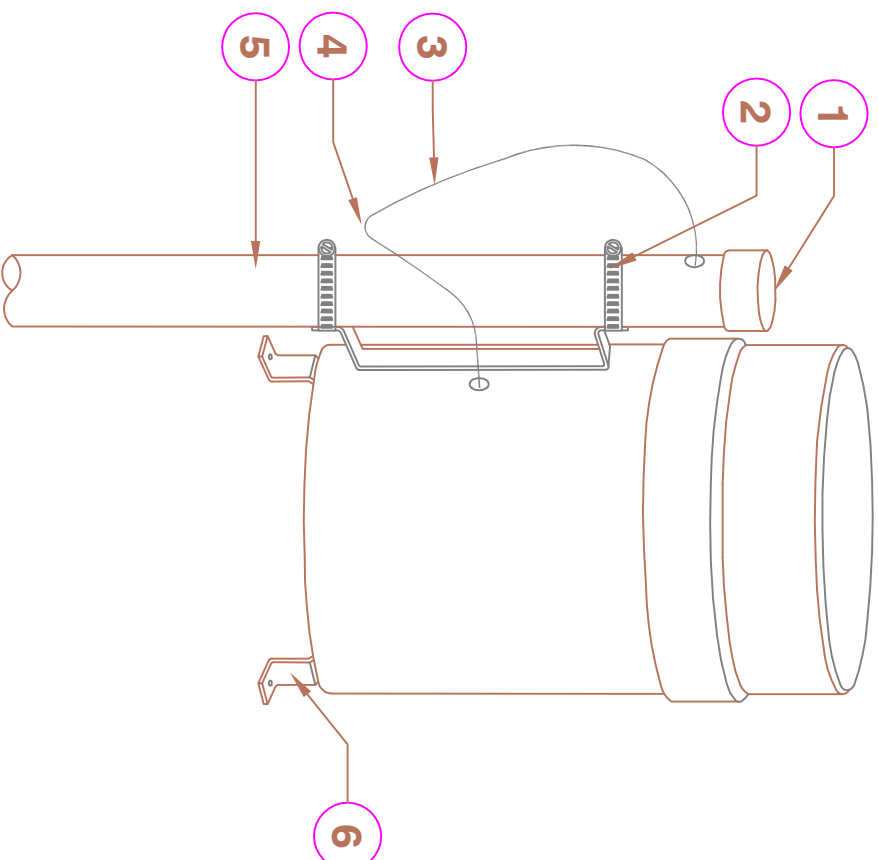


- 1 SEAL OPENING
- 2 HOSE CLAMP
- 3 WIRE TO CONTROLLER RAIN BUCKET CONNECTIONS
- 4 DRIP LOOP
- 5 MOUNTING POLE
- 6 FLAT SURFACE MOUNTING FEET



00

TIPPING RAIN BUCKET (RB-1)

3" = 1'-0"

DETAIL-FILE