

CS3-SB16-RETRO

The Calsense CS3-SB16-RETRO utilizes an existing .I.T./Strongbox® model SB16SS Stainless Steel Top Entry Enclosure to mount a Calsense CS3000 irrigation controller. Calsense provides a sustainable solution when retrofitting to the Calsense Resource Management System, eliminating the need to replace a valuable asset.

Description

The CS3-SB16-RETRO is a kit that provides all of the hardware necessary to mount a controller in an existing V.I.T./Strong Box SB16SS Stainless Steel Top Entry Enclosure. Also included is a CS3000 custom face plate to hold the controller panel at a 25-degree angle in the top of the enclosure for easy viewing and programming. The unit comes complete with transient and lightning protection, factory-labeled terminals, GFI outlet, and keyed On/Off switch.

- Quick, clean and easy to install. Utilizes existing mounting holes and hardware, four screws and four bolts, mounts in minutes
- Complete Calsense 10-year limited warranty on all assembled components included in the model CS3-SB16-RETRO

The CS3-SB16-RETRO is available in the following configurations:

- CS3-8-SB16-RETRO
- CS3-2W-SB16-RETRO

Technical Specifications

Dimensions

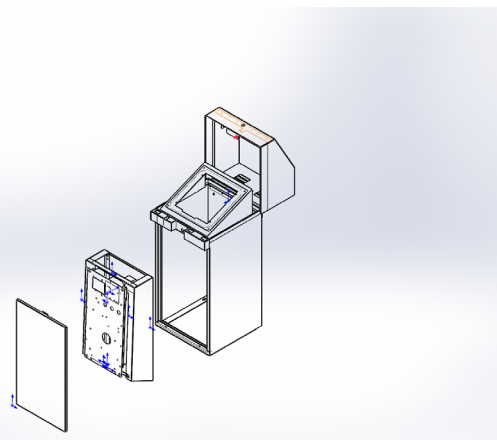
- Height: 26.5"
- Width: 14.25"
- Depth: 6"

Construction Material

- 14-gauge SAE 304 Stainless Steel

Warranty

- 10-year limited warranty



Strong Box is a registered trademark of V.I.T Products, Inc.

calsense.com | 760-438-0525

 **calsense**™ SMART SOLUTIONS
FOR A THIRSTY WORLD™