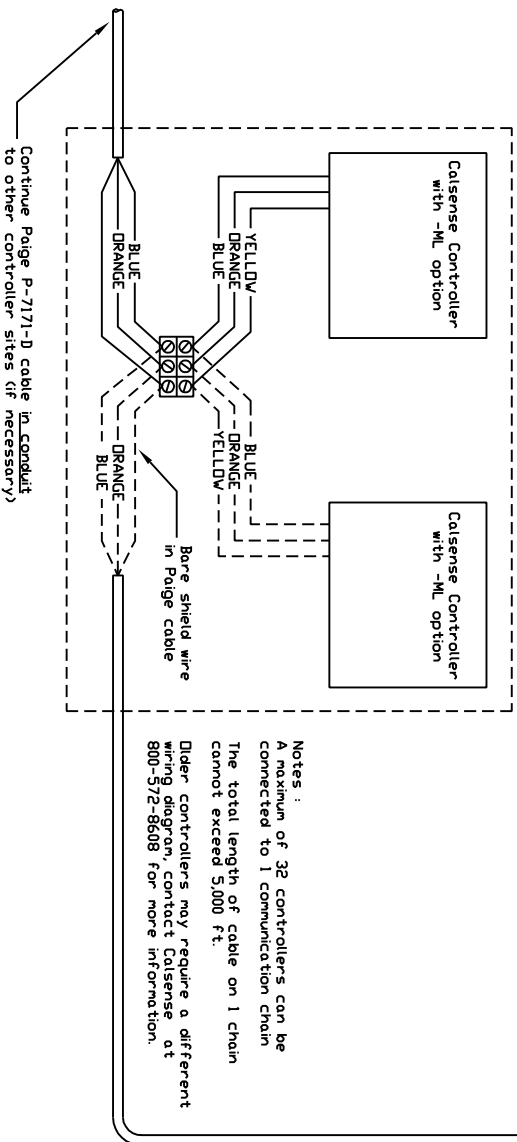
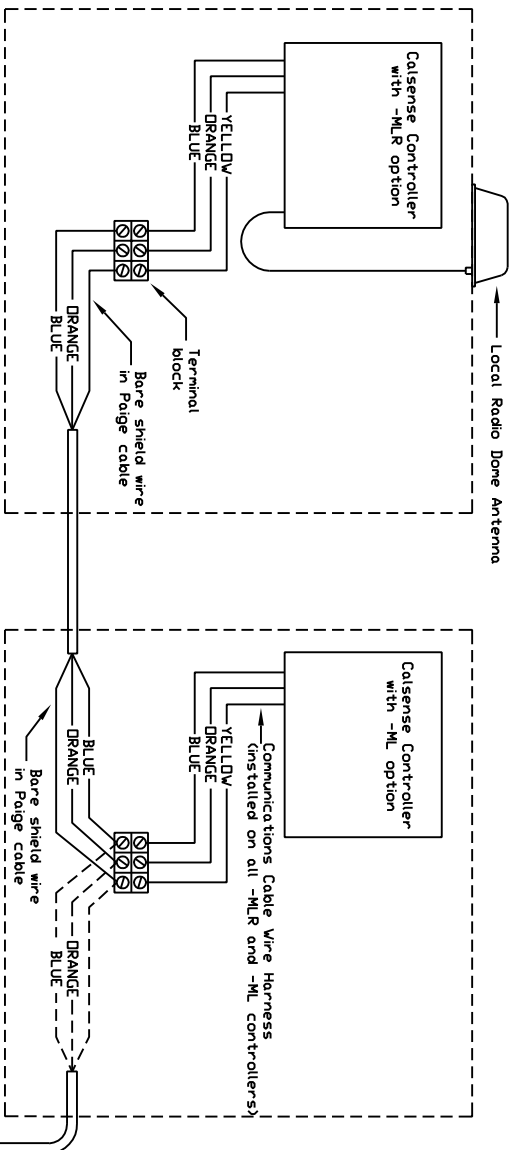


-MLR, -ML COMMUNICATIONS CABLE WIRING DIAGRAM



Notes :
 A maximum of 32 controllers can be connected to 1 communication chain
 The total length of cable on 1 chain cannot exceed 5,000 ft.
 Older controllers may require a different wiring diagram, contact Calsense at 800-572-8608 for more information.